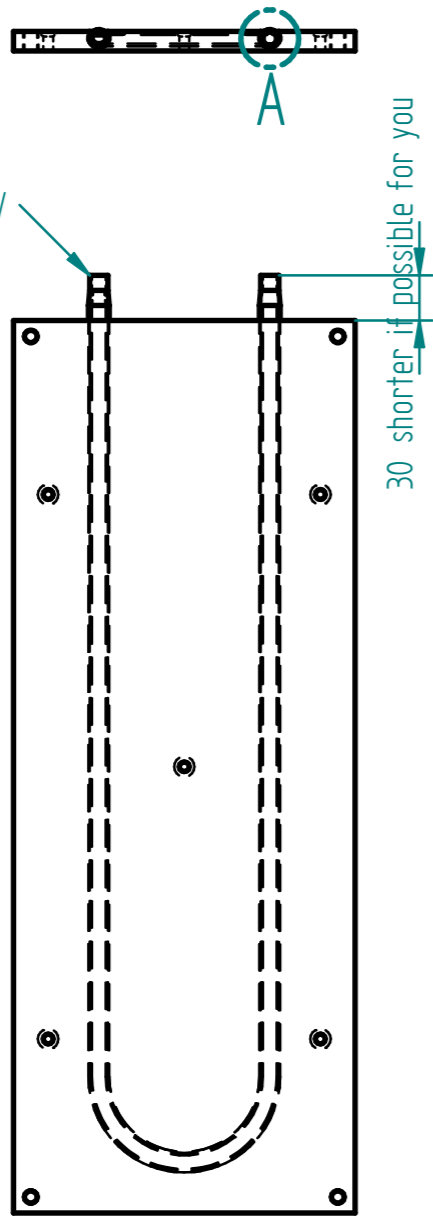
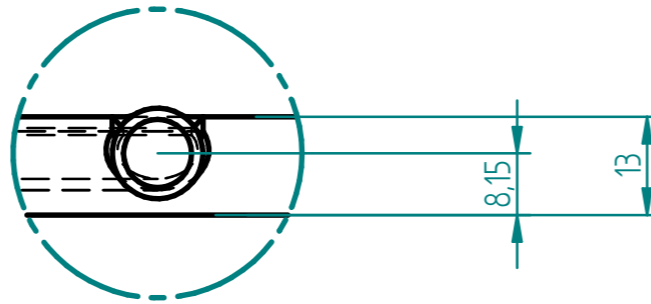


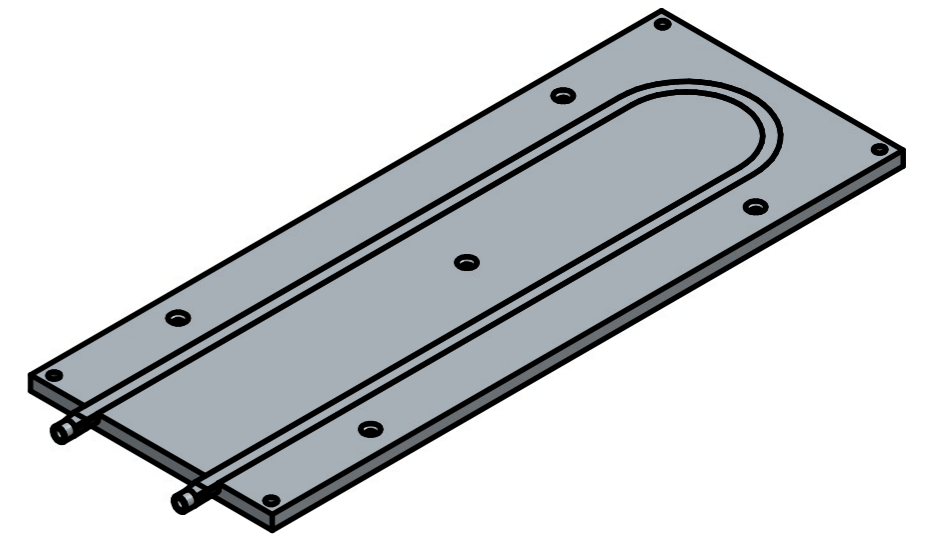
quick release connector /
hose clamp connector




30 shorter if possible for you



DETAIL A
Schaal:1



| | | | | |
|---|--|--------------|-------------------------------------|-------------------|
| THIS DRAWING IS PROPERTY OF EV EUROPE AND MAY NOT BE COPIED OR USED BY OTHERS WITHOUT PERMISSION OF THE OWNER OF THIS DOCUMENT. | Remarks: - | | Drawn by: L.M.Ijpema | Date : 23-09-2022 |
| | | | Material: --- | Scale: 1:5 |
| |  General tolerances according to DIN 7168-m American projection | | Name: assembly cooling plate + tube | |
| | | | Drawing number: 2022-ID4-00 | |
| Teslaweg 5 2627AV Delft The Netherlands +31152155361 | | Amount: 1 | | Revisie: |
| | | Sheet 1 of 1 | | A3 |