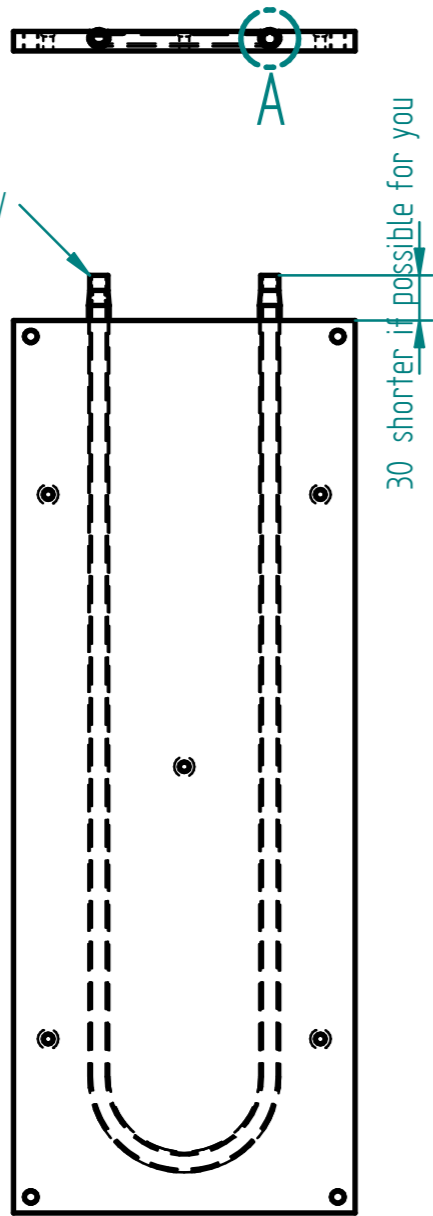
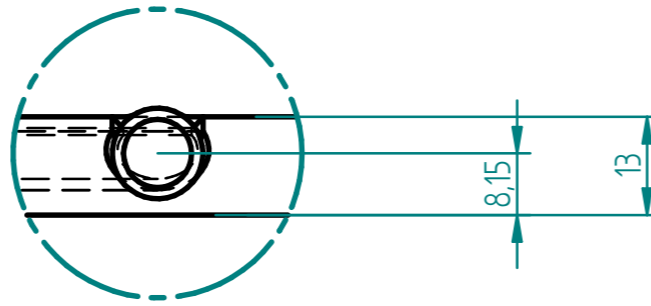


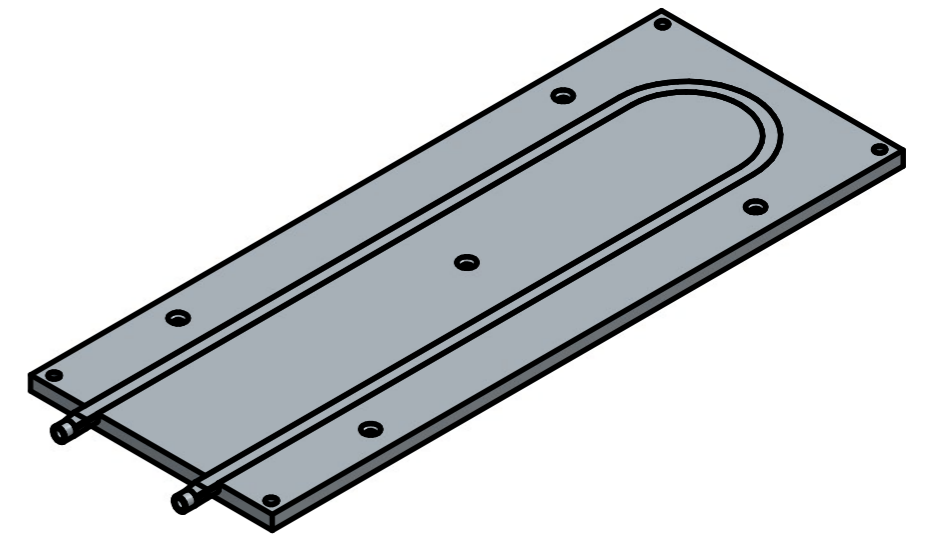
quick release connector /
hose clamp connector

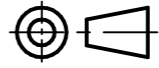


30 shorter if possible for you



DETAIL A
Schaal:1



THIS DRAWING IS PROPERTY OF EV EUROPE AND MAY NOT BE COPIED OR USED BY OTHERS WITHOUT PERMISSION OF THE OWNER OF THIS DOCUMENT.	Remarks:		Drawn by: L.M.Ijpema	Date : 23-09-2022	
			Material: ---	Scale: 1:5	
	EV EUROPE Teslaweg 5 2627AV Delft The Netherlands +31152155361		General tolerances according to DIN 7168-m	Name: assembly cooling plate + tube	Amount: 1
			 American projection	Revisie:	Sheet 1 of 1
			Drawing number: 2022-ID4-00	A3	