

REVISIONS					
REV	ECN NO	DESCRIPTION	DATE	BY	APPR
A1	N/A	RELEASE DRAWING	2022.02.25	ABLE	EASON
A2	N/A	增加防尘盖料号	2023.07.28	ABLE	EASON

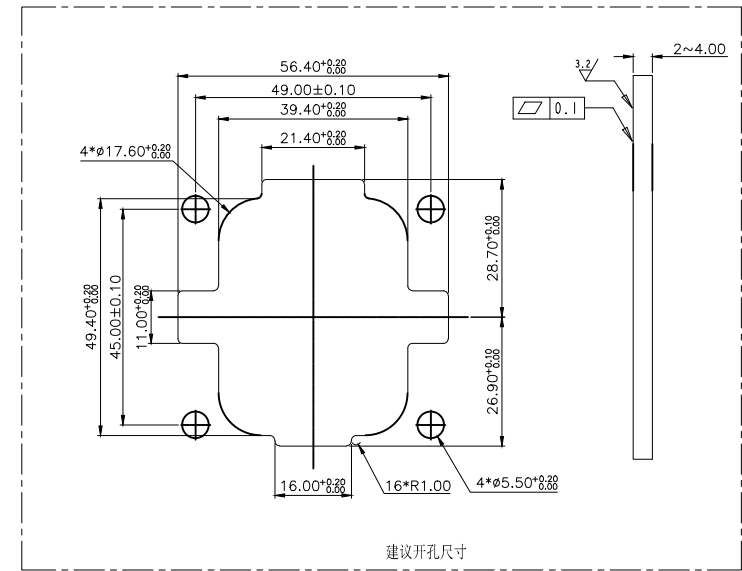
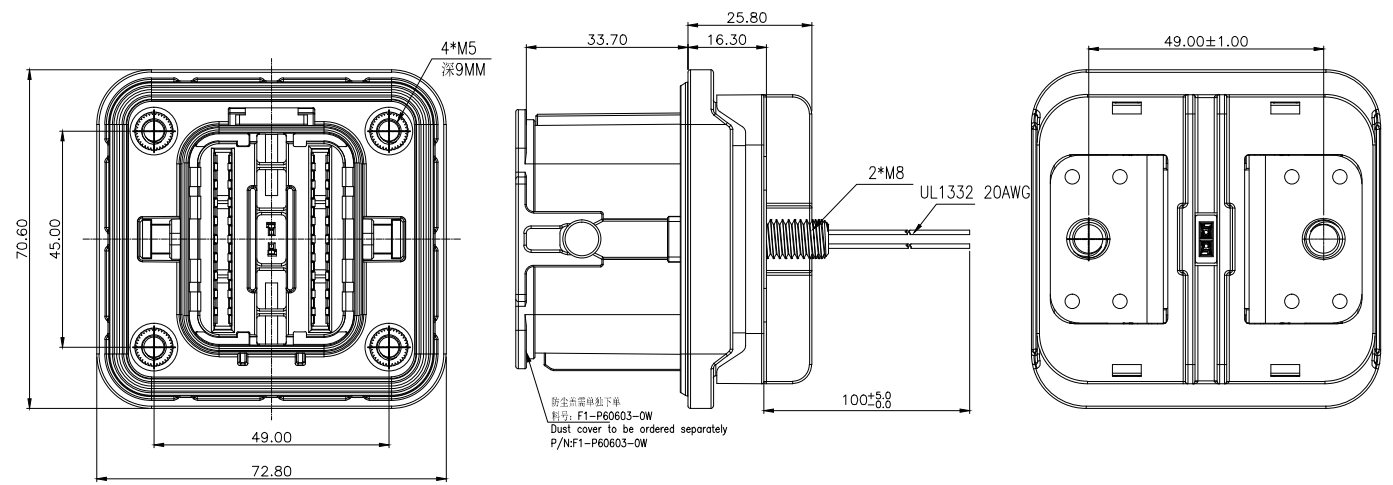


TABLE 1:

额定电流 rated current	电源端子 380A
工作电压 Operating voltage	DC1500V
工作温度 Operating temperature	-40°C~+125°C
耐电压 withstand voltage	6800V AC
绝缘电阻 insulation resistance	5000MΩ MIN(干燥 drying) 200MΩ MIN(RH 95%)
盐雾 salt fog	144H (配合状态下 matching state)
防护等级 protection Level	IP67B/IP6K9K
插拔寿命 Durability life	500次 500cycling
接触电阻 Contact resistance	0.5 mΩ max
互锁 Inter-Lock solution	可选 option
环境温度 Ambient temperature	-40°C~+80°C
互锁端子数量Number of power Inter-Locks	2PCS

UNLESS OTHERWISE SPECIFIED 1) All dimensions are in metric(mm). 2) Tolerances are as follows: 1 PL DEC ±1 2 PL DEC ±0.5 3 PL DEC ±0.25 Fractions ±1/64 Angles ±2'		MATERIAL SPECIFICATIONS: SEE TABLE	PART NO: MINI MSD 插座 FMSD20*2T01N-M81H
DRAWING TYPE CUSTOMER DRAWING		第三角投影 THIRD ANGLE PROJECTION	
制图 DRAWN able 2023.07.28	日期 DATE	文件编号 FSCM NO.	幅面 SIZE
审核 CHECKED		质量 MASS	版次 REV.
工艺 ENGINEER		比例 SCALE	
批准 APPROVAL		A4	9
客户 CUSTOMER		A2	1:1
SHEET 1 OF 1		DWG NO:	