

Product Facts

- Designed to be the smallest, lightest weight, lowest cost sealed contactor in the industry with its current rating (500+A carry, 2000A interrupt at 320VDC).
- Built-in coil economizer – only 1.7W hold power @ 12VDC and it limits back EMF to 0V. Models requiring external economizer also available.
- Optional auxiliary contact for easy monitoring of power contact position.
- Hermetically sealed – intrinsically safe, operates in explosive/harsh environments with no oxidation or contamination of coils or contacts, including long periods of non-operation.
- Versatile coil/power connections.
- CE marked for EC applications.
- AIAG QS9000 designed, built and approved



CE File E208033



EV200 Series Contactor
(CZONKA® Relay, Type III)

Typical EV200 applications include battery switching and back-up, DC voltage power control, circuit protection and safety.

For factory-direct application assistance, dial 800-253-4560, ext. 2055, or 805-220-2055.

Performance Data

| Parameter | Units | Value for EV200 Series |
|--|---------|---|
| Contact Arrangement, power contacts | | 1 Form X (SPST-NO-DM) |
| Rated Operating Voltage | VDC | 12 - 900 |
| Continuous (Carry) Current, Typical | A | 500 @ 85°C, 400 mcm conductors <i>Consult Factory for required conductors for higher (500+ A) currents</i> |
| Make/Break Current at Various Voltages ^{1/} | A | See next page |
| Break Current at 320VDC ^{1/} | A | 2,000, 1 cycle ^{3/} |
| Contact Resistance, Typ. (@200A) | mohms | 0.2 |
| Load Life | Cycles | See next page |
| Mechanical Life | Cycles | 1 million |
| Contact Arrangement, auxiliary contacts | | 1 Form A (SPST-NO) |
| Aux. Contact Current, Max. | A | 2A @ 30VDC / 3A @ 125VAC |
| Aux. Contact Current, Min. | mA | 100mA @ 8V |
| Aux. Contact Resistance, Max. | ohms | 0.417 @ 30VDC / .150 @ 125VAC |
| Operate Time @ 25°C | | |
| Close (includes bounce), Typ. | ms | 15 |
| Bounce (after close only), Max. | ms | 7 |
| Release (includes arcing), Max @ 2000A | ms | 12 |
| Dielectric Withstanding Voltage | Vrms | 2,200 @ sea level (leakage <1mA) |
| Insulation Resistance @ 500VDC | megohms | 100 ^{2/} |
| Shock, 11ms 1/2 sine, peak, operating | G | 20 |
| Vibration, sine, 80-2000Hz., peak | G | 20 |
| Operating Ambient Temperature | °C | -40 to +85 |
| Weight, Nominal | lb.(kg) | .95 (.43) |

^{1/} Main power contacts

^{2/} 50 at end of life

^{3/} Does not meet dielectric & IR after test, 1700 amp for unit with Aux. Contacts

Coil Operating Voltage (valid over temperature range)

| | | | |
|-------------------------------|----------------------|-----------|-----------|
| Voltage (will operate) | 9-36VDC | 32-95VDC | 48-95VDC |
| Voltage (Max.) | 36VDC | 95VDC | 95VDC |
| Pickup (close) Voltage Max. | 9VDC | 32VDC | 48VDC |
| Hold Voltage (Min.) | 7.5VDC | 22VDC | 34VDC |
| Dropout (open) Voltage (Min.) | 6VDC | 18VDC | 27VDC |
| Inrush Current (Max.) | 3.8A | 1.3A | 0.7A |
| Holding Current (Avg.) | 0.13A@12V, 0.07A@24V | 0.03A@48V | 0.02A@72V |
| Inrush Time (Max.) | 130ms | 130ms | 130ms |

Part Numbering System

Typical Part Number

EV200 A A A N A

Series:

EV200 = 500+ Amp, 12-900VDC Contactor

Contact Form:

A = Normally Open H = Normally Open with Aux. Contacts

Coil Voltage:

A = 9-36VDC (1 = requires external coil economizer)
 D = 32-95VDC (2 = requires external coil economizer)
 J = 48-95VDC (3 = requires external coil economizer)
 R = 28VDC with Mechanical Economizer

Coil Wire Length:

A = 15.3 in (390 mm) B = 6.0 in (152 mm)

Coil Terminal Connector:

N = None
 B = Yazaki 7282-5558-10 male, 7114-4102-02, 7158-3030-50
 +red is pin 2 (B length only)
 C = Molex Mini-fit Jr, 2 Ckt, Female 18-24, P/N 39-01-2020 &
 39-00-0060 +red is pin 1 (A length only)

Mounting & Power Terminals:

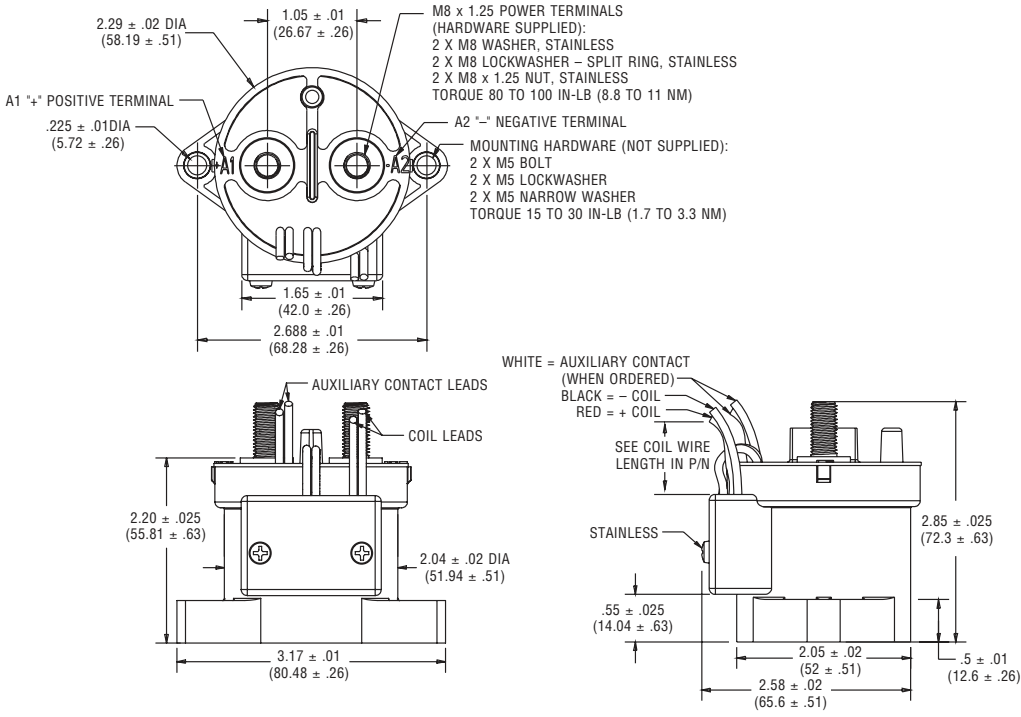
A = Bottom Mount & Male 10mm x M8 Terminals

© 2004 & 2007 by Tyco Electronics Corporation. All Rights Reserved.
 KILOVAC, CZONKA, TE mark and TYCO ELECTRONICS are trademarks.

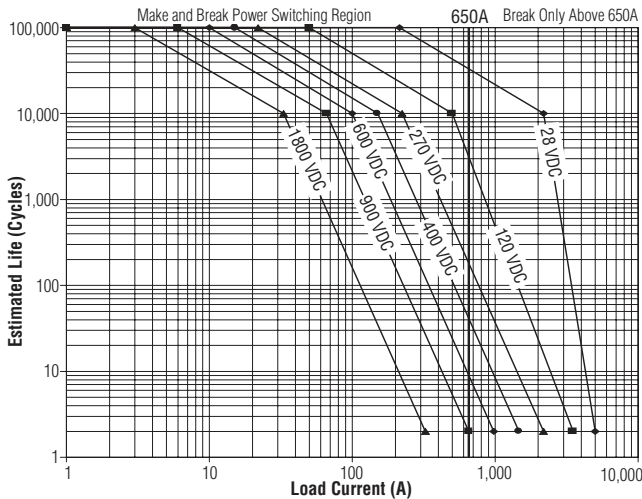
Other products and company names mentioned herein may be trademarks of their respective owners.

KILOVAC EV200 Series (CZONKA® Relay, Type III) (Continued)

Outline Dimensions



Estimated Make & Break Power Switching Ratings



- NOTES:**
- 1) For resistive loads with 300H maximum inductance. Consult factory for inductive loads.
 - 2) Estimates based on extrapolated data. User is encouraged to confirm performance in application.
 - 3) End of life when dielectric strength between terminals falls below 50 megohms @ 500VDC.
 - 4) The maximum make current is 650A to avoid contact welding.

Electrical Load Life Ratings for Typical EV Applications

| Make/Break Life Capacitive & Resistive Loads at 320VDC (1) (2) | |
|--|-------------------------|
| @90% capacitive pre-charge (make only) see chart below | Cycles 50,000 |
| @80% capacitive pre-charge (make only) see chart below | Cycles 50 |
| @200A make/break (2 consecutive, reverse polarity) (1) | Cycles 12 |
| 2,000A (break only) (1) | Cycles 1* |
| Mechanical Life | Cycles 1 million |

- (1) Resistive load includes inductance L = 25µH. Load @ 2500A tested @ 200µH.
 (2) Life based on projected Weibull Life with 95% reliability.
 * Does not meet dielectric and IR after test.

EV200 Capacitive Make Test Curves for Pre-Charged Motor Controller

